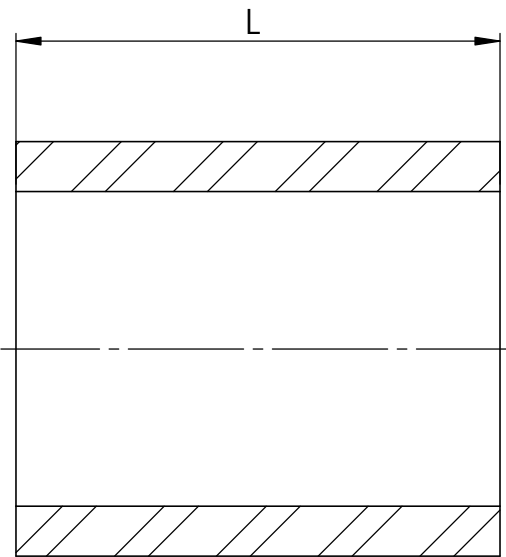
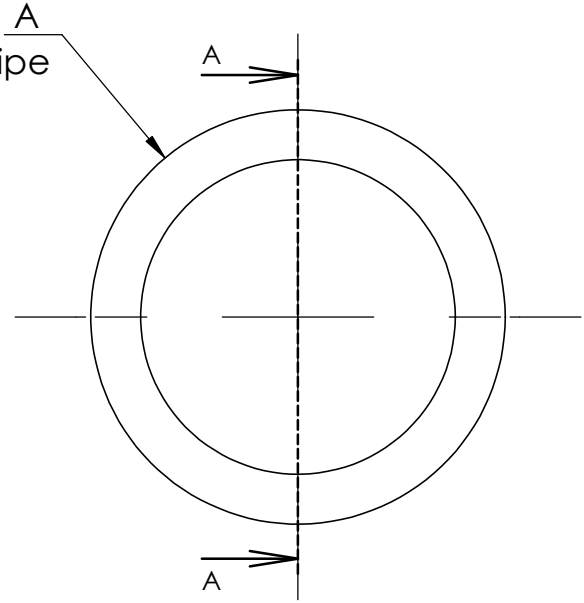
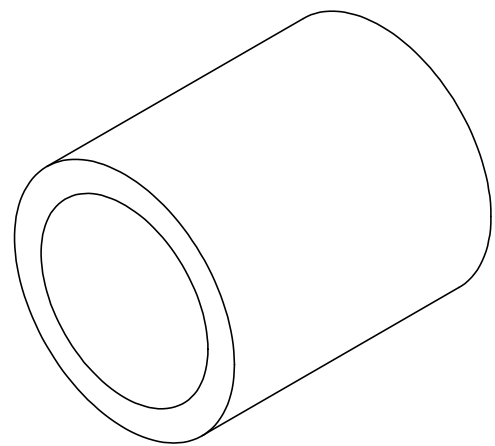


| | |
|----------|---------------|
| Doc Code | DW-RD01 |
| Review | 1403/09/20-V4 |

1/4" NPS Sch-10 Pipe



SECTION A-A



| Item N.O. | A= Diameter (mm) | L= Length (mm) | Weight (gr) | Qty |
|-----------|------------------|----------------|-------------|------|
| 10.1 | 13.7 | 25.4 ±0.02 | 12.7 | 10 |
| 10.2 | | 15.4±0.02 | 7.7 | 20 |
| 10.3 | | 12.9±0.02 | 6.45 | 10 |
| 10.4 | | 15.2±0.02 | 7.6 | 1340 |

Project Title:
Ghadir Iranian Process Gas Mist Eliminator

| | | | |
|-------------------|-------------|--------------|--|
| Material: SS 316L | Quantity: 1 | Revision: 00 | |
|-------------------|-------------|--------------|--|

| | | | | |
|----------------|----------|------------|------------------|--------------|
| Paper Size: A4 | Unit: mm | Scale:1:10 | Weight (kg): --- | Sheet 1 of 1 |
|----------------|----------|------------|------------------|--------------|